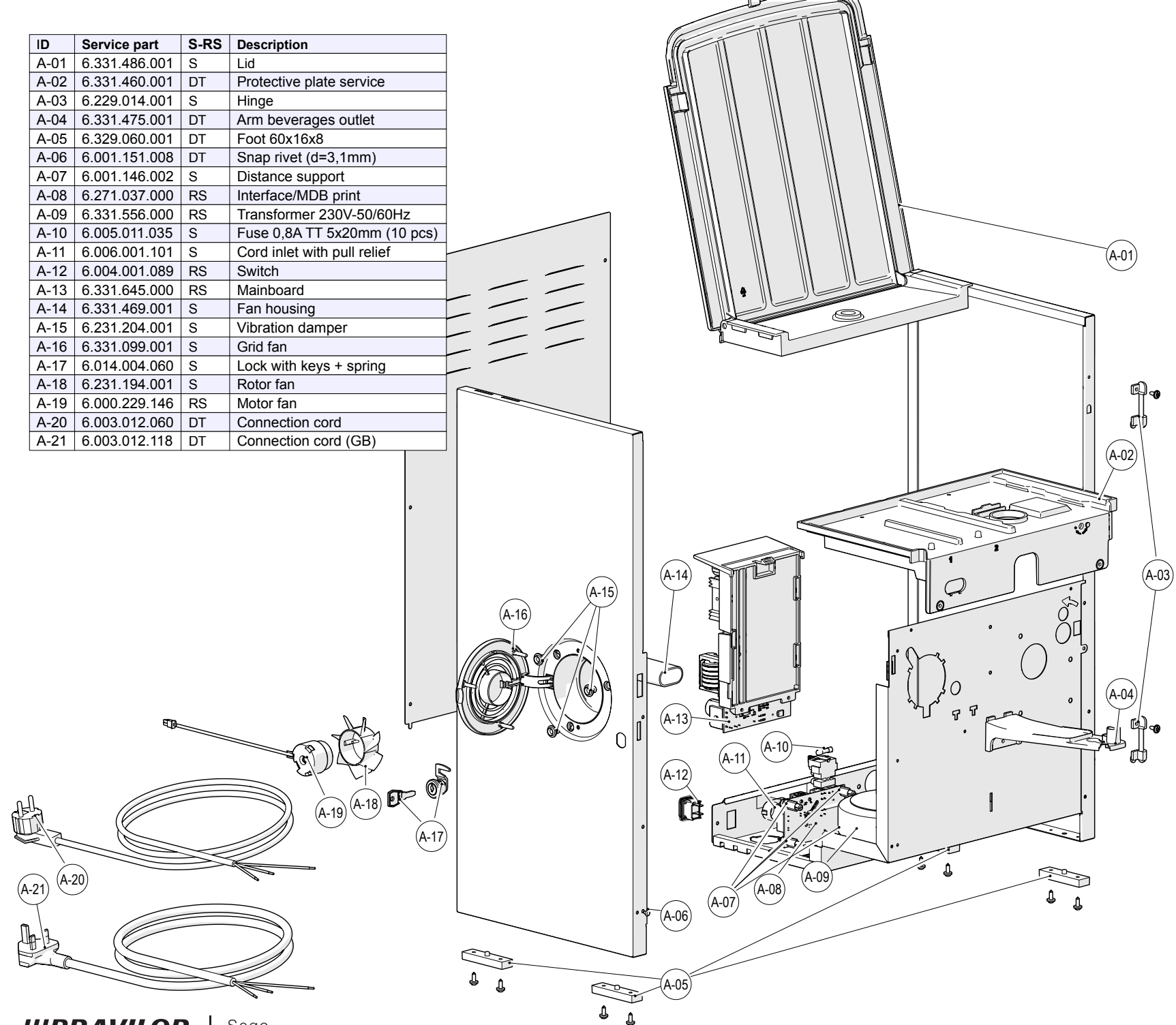
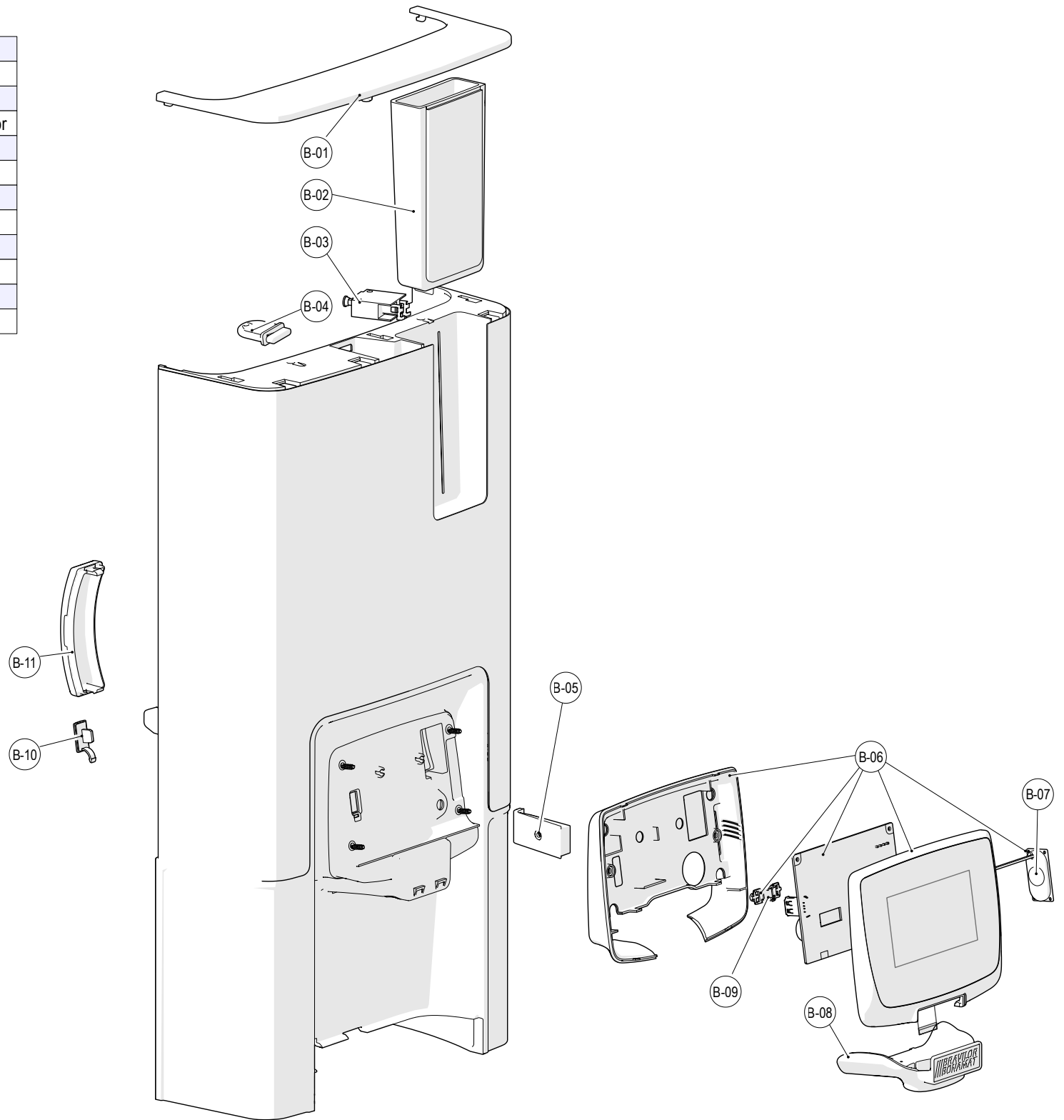


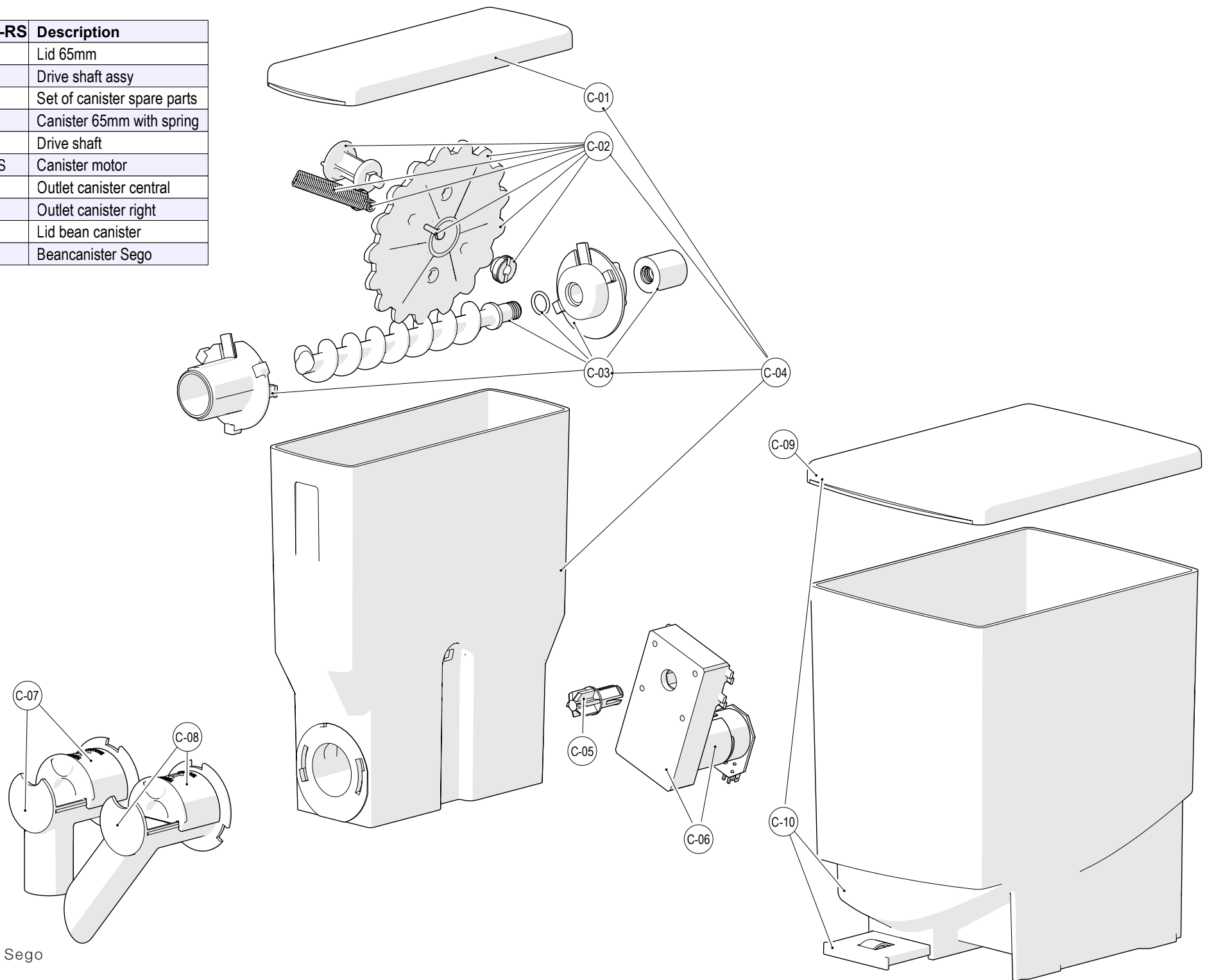
ID	Service part	S-RS	Description
A-01	6.331.486.001	S	Lid
A-02	6.331.460.001	DT	Protective plate service
A-03	6.229.014.001	S	Hinge
A-04	6.331.475.001	DT	Arm beverages outlet
A-05	6.329.060.001	DT	Foot 60x16x8
A-06	6.001.151.008	DT	Snap rivet (d=3,1mm)
A-07	6.001.146.002	S	Distance support
A-08	6.271.037.000	RS	Interface/MDB print
A-09	6.331.556.000	RS	Transformer 230V-50/60Hz
A-10	6.005.011.035	S	Fuse 0,8A TT 5x20mm (10 pcs)
A-11	6.006.001.101	S	Cord inlet with pull relief
A-12	6.004.001.089	RS	Switch
A-13	6.331.645.000	RS	Mainboard
A-14	6.331.469.001	S	Fan housing
A-15	6.231.204.001	S	Vibration damper
A-16	6.331.099.001	S	Grid fan
A-17	6.014.004.060	S	Lock with keys + spring
A-18	6.231.194.001	S	Rotor fan
A-19	6.000.229.146	RS	Motor fan
A-20	6.003.012.060	DT	Connection cord
A-21	6.003.012.118	DT	Connection cord (GB)



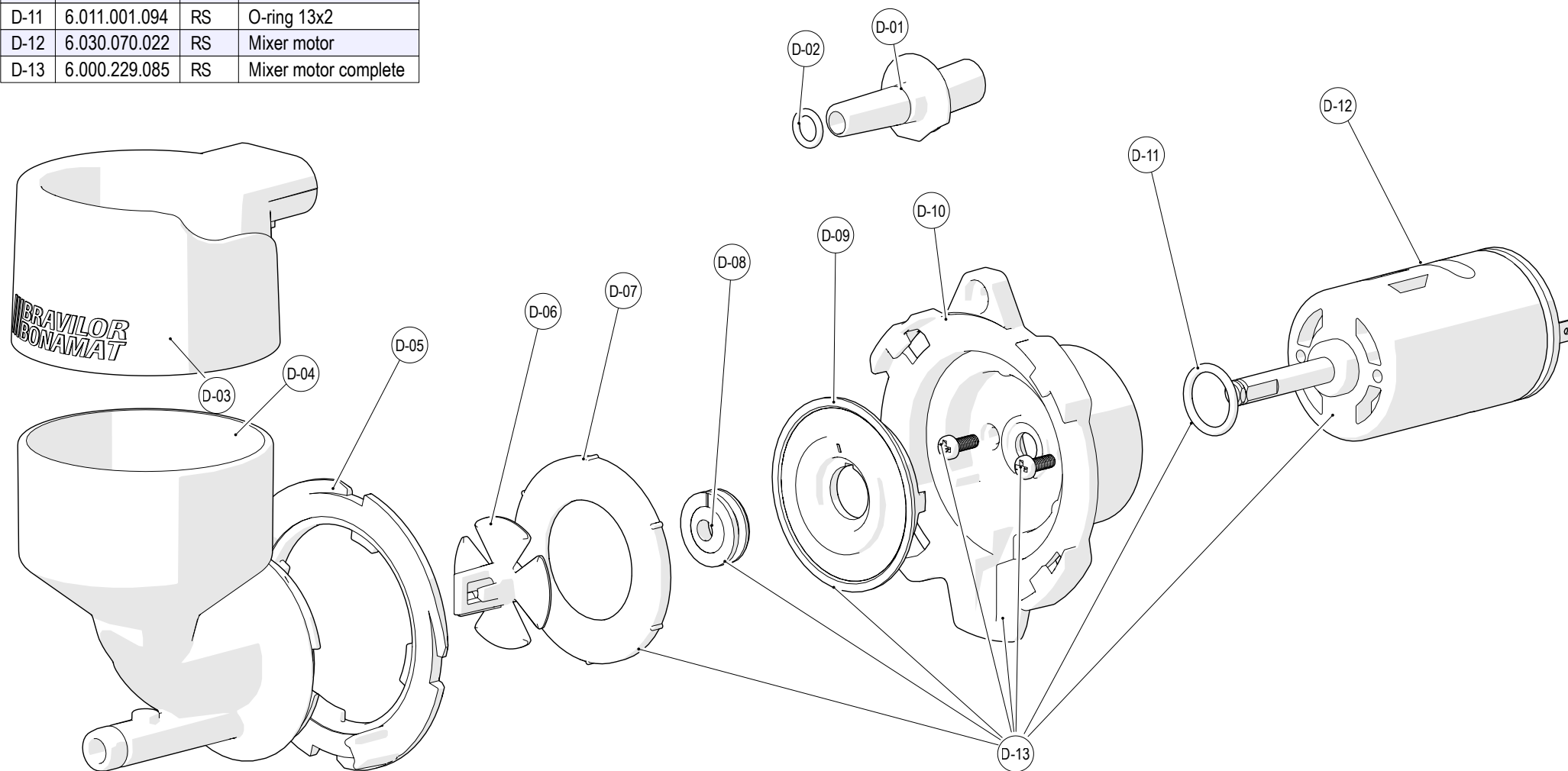
ID	Service part	S-RS	Description
B-01	6.331.466.001	S	Lid door
B-02	6.331.467.001	DT	Bin for ornamental beans
B-03	6.331.597.000	RS	Doorswitch incl. connector
B-04	6.231.044.001	S	Service key
B-05	6.331.484.001	DT	Cover hinge
B-06	6.000.331.048	RS	Service panel (assy)
B-07	6.331.107.000	S	Speaker
B-08	6.331.465.100	S	Outlet cover chrome
B-09	6.402.002.001	S	Push button grey
B-10	6.268.393.001	DT	USB cover
B-11	6.331.468.001	S	Cover cable



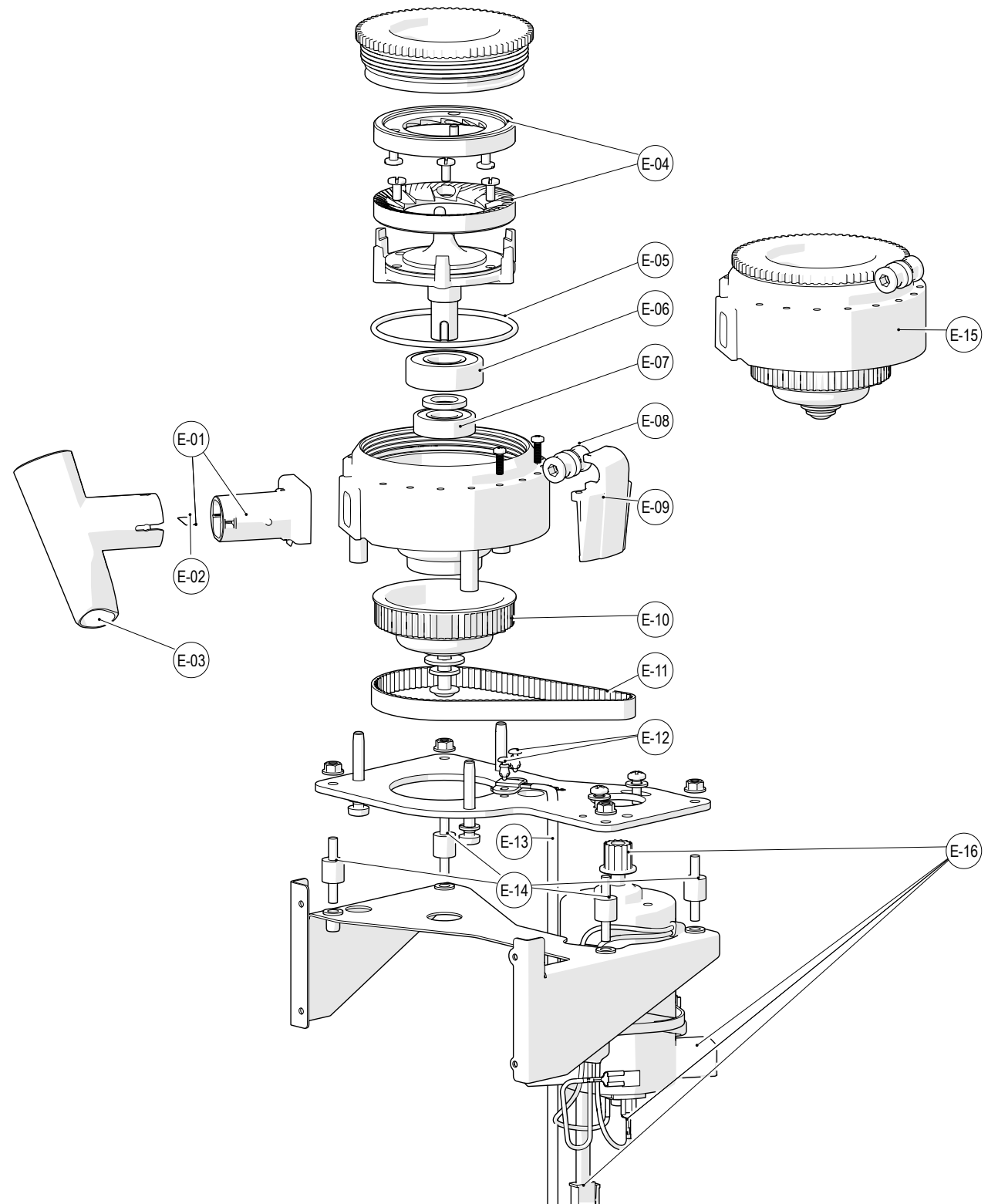
ID	Service part	S-RS	Description
C-01	6.229.273.001	S	Lid 65mm
C-02	6.000.229.102	S	Drive shaft assy
C-03	6.000.229.122	S	Set of canister spare parts
C-04	6.000.229.106	S	Canister 65mm with spring
C-05	6.030.074.005	S	Drive shaft
C-06	6.331.615.000	RS	Canister motor
C-07	6.329.248.000	S	Outlet canister central
C-08	6.329.167.000	S	Outlet canister right
C-09	6.229.274.001	S	Lid bean canister
C-10	6.000.331.071	S	Beancanister Sego



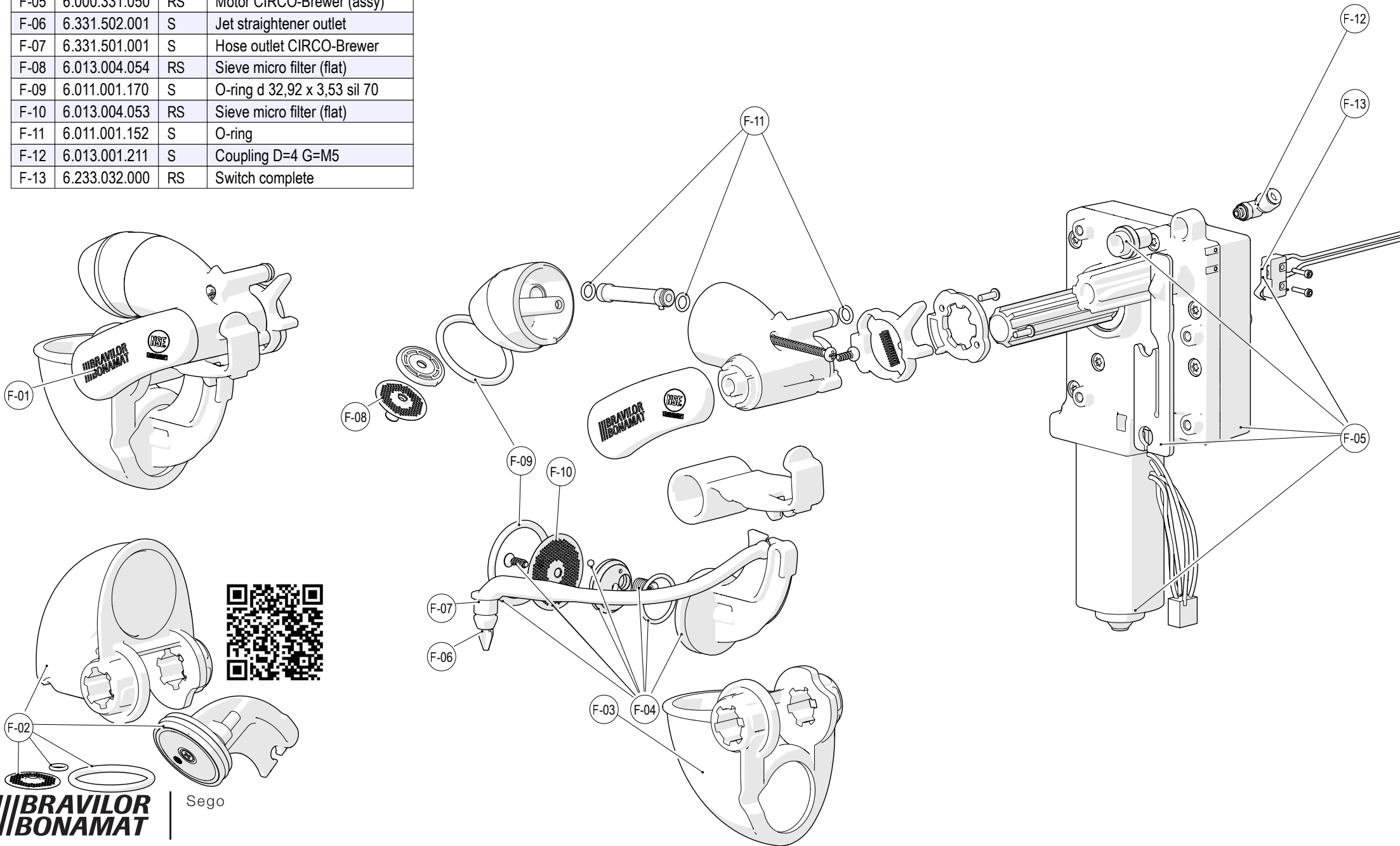
ID	Service part	S-RS	Description
D-01	6.229.580.001	S	Water inlet 6 mm
D-02	6.011.001.152	S	O-ring
D-03	6.331.470.001	S	Condense reservoir
D-04	6.229.805.001	S	Mixing chamber 6 mm
D-05	6.229.809.001	S	Fastening ring
D-06	6.229.803.001	S	Whipper disk
D-07	6.229.806.001	S	Rubber seal mixer
D-08	6.030.071.020	S	Rubber seal mixer
D-09	6.229.807.001	S	Holder rubber seal
D-10	6.229.810.001	S	Plate mixer moter
D-11	6.011.001.094	RS	O-ring 13x2
D-12	6.030.070.022	RS	Mixer motor
D-13	6.000.229.085	RS	Mixer motor complete



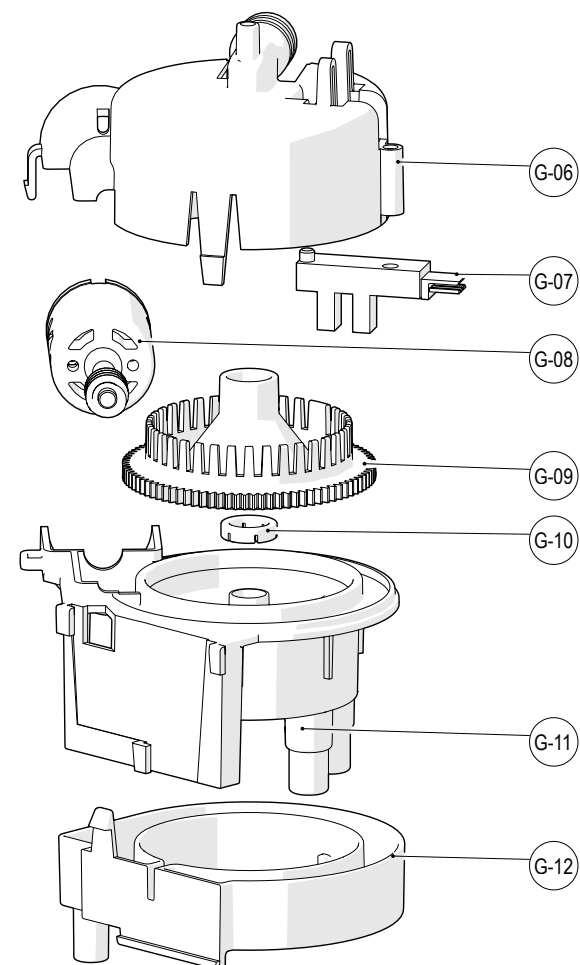
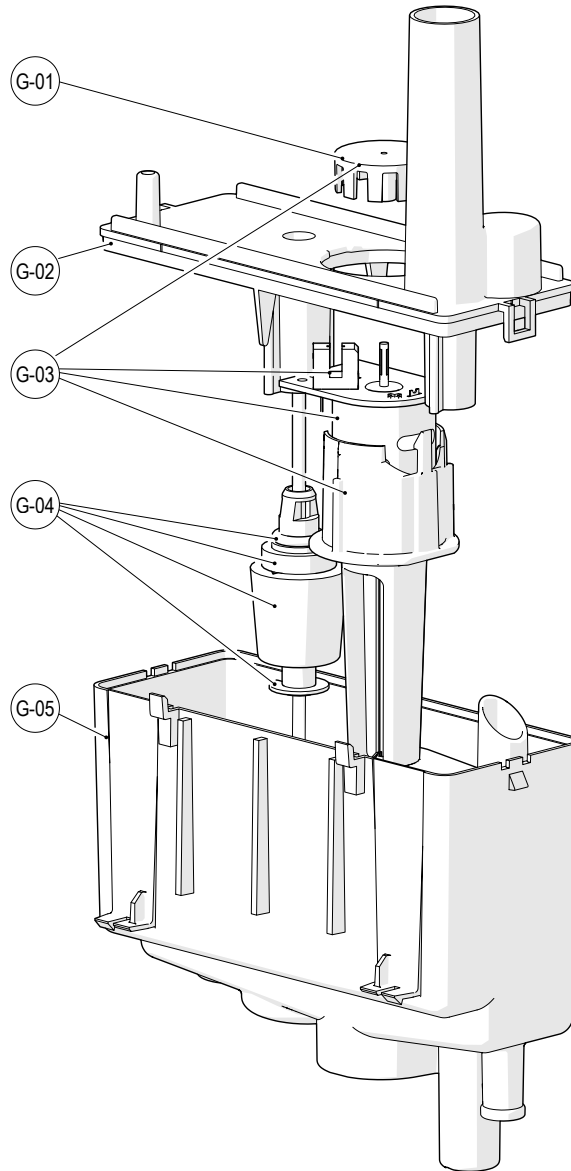
ID	Service part	S-RS	Description
E-01	6.331.504.000	S	Coffee chute (assy)
E-02	6.331.506.001	S	Coffee distrubution plate
E-03	6.331.505.001	S	Grinder outlet
E-04	6.331.433.001	RS	Grinding disk
E-05	6.011.001.172	RS	O-ring 61,6x2,62
E-06	6.018.021.005	DT	Ball bearing 15x35x11
E-07	6.018.021.002	DT	Ball bearing 12x28x8
E-08	6.331.426.001	S	Adjustment part
E-09	6.331.427.001	S	Clip adjusting mechanism
E-10	6.331.253.000	S	Drive shaft
E-11	6.017.008.002	S	V-string
E-12	6.001.151.007	DT	Snap rivet (d=3.5mm)
E-13	6.030.079.007	RS	Sensor
E-14	6.001.152.008	S	Vibration damper Ø10x10 M4x10
E-15	6.000.331.057	S	Grinder base (assy)
E-16	6.000.331.058	RS	Motor grinder 230V (assy)



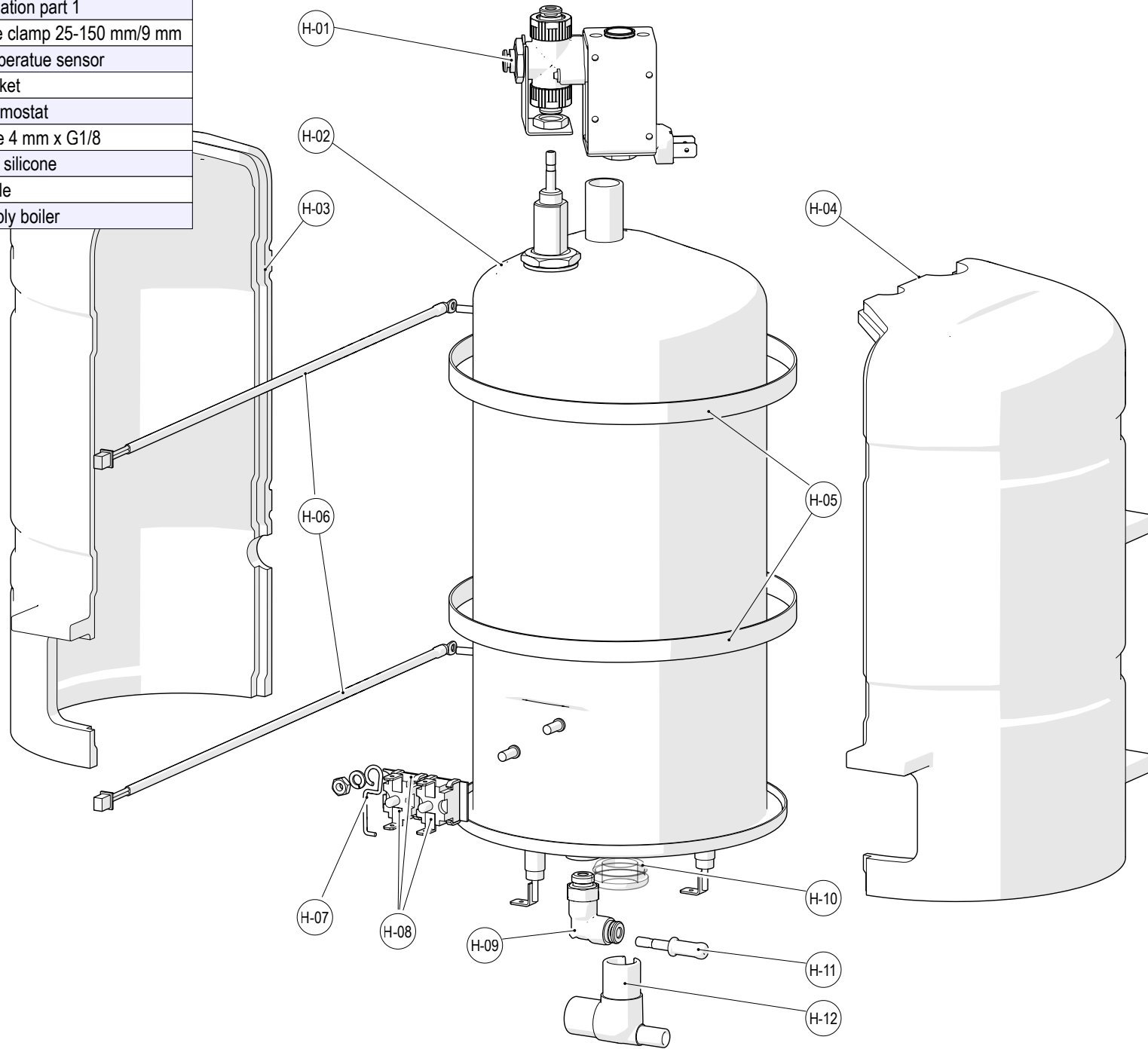
ID	Service part	S-RS	Description
F-01	6.000.331.049	S	CIRCO-Brewer (assy)
F-02	6.000.331.083	S	Cylinder+piston CIRCO-Brewer
F-03	6.000.331.079	S	Cylinder
F-04	6.000.331.078	S	Plunger CIRCO-Brewer (assy)
F-05	6.000.331.050	RS	Motor CIRCO-Brewer (assy)
F-06	6.331.502.001	S	Jet straightener outlet
F-07	6.331.501.001	S	Hose outlet CIRCO-Brewer
F-08	6.013.004.054	RS	Sieve micro filter (flat)
F-09	6.011.001.170	S	O-ring d 32,92 x 3,53 sil 70
F-10	6.013.004.053	RS	Sieve micro filter (flat)
F-11	6.011.001.152	S	O-ring
F-12	6.013.001.211	S	Coupling D=4 G=M5
F-13	6.233.032.000	RS	Switch complete



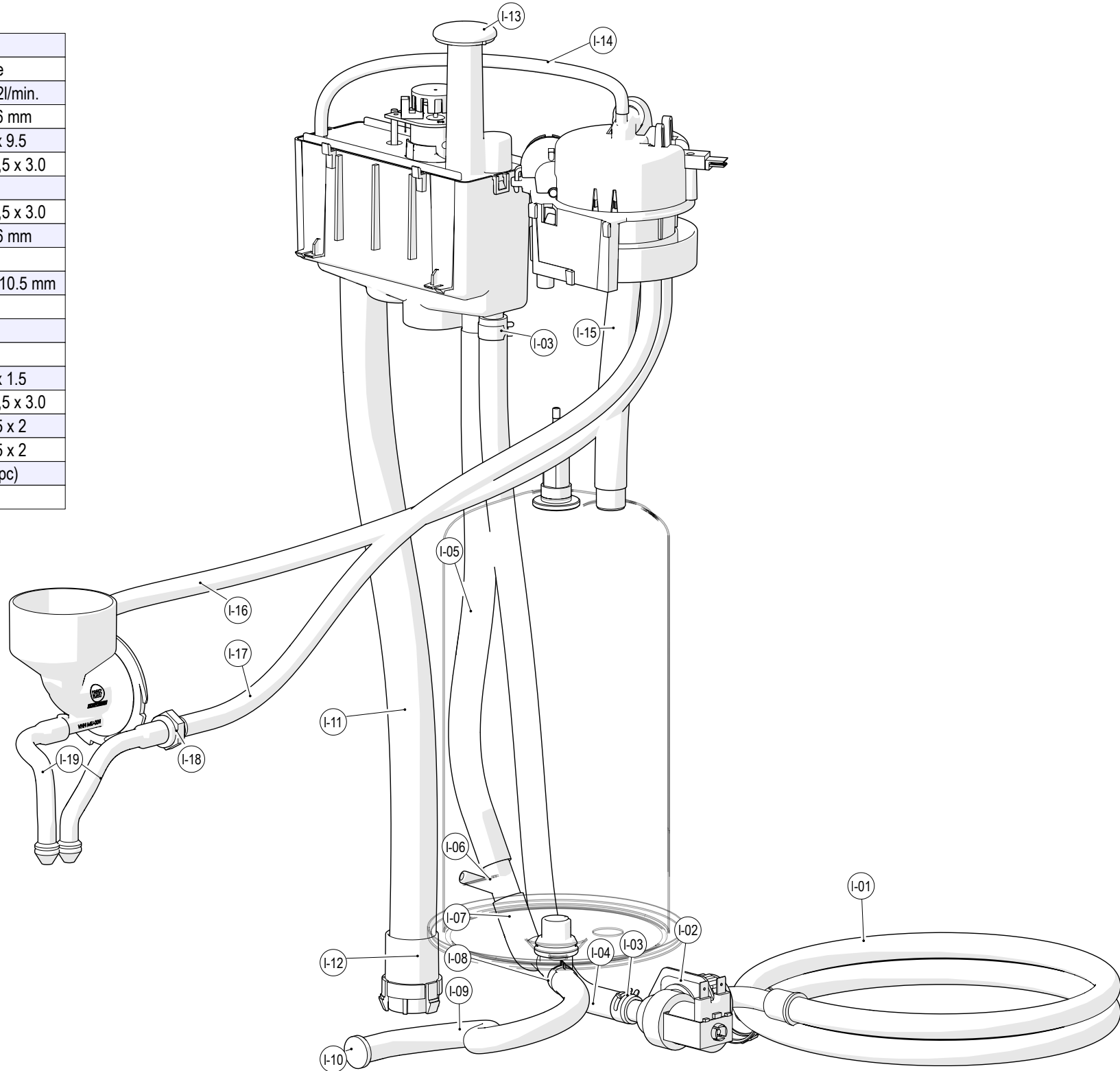
ID	Service part	S-RS	Description
G-01	6.229.594.001	S	Positioning wheel
G-02	6.229.334.001	S	Lid pumpfloat tank
G-03	6.000.229.198	RS	Pump float tank 4000 rpm
G-04	6.229.891.001	S	Float
G-05	6.229.335.001	S	Pumpfloat tank
G-06	6.231.121.001	S	Lid water selector
G-07	6.004.026.001	RS	Light sensor
G-08	6.000.231.022	RS	Motor water selector (assy)
G-09	6.231.120.001	RS	Water rotation disk
G-10	6.229.761.001	S	Water sealing ring
G-11	6.231.825.001	S	Outlet waterselector 2
G-12	6.231.259.001	S	Lid water selector



ID	Service part	S-RS	Description
H-01	6.016.001.129	RS	Magnetic valve 24V DC NC
H-02	6.000.331.020	RS	Boiler 230V 1850W
H-03	6.331.124.002	DT	Insulation part 2
H-04	6.331.124.001	DT	Insulation part 1
H-05	6.001.043.056	S	Tube clamp 25-150 mm/9 mm
H-06	6.331.485.000	RS	Temperatue sensor
H-07	6.016.008.078	DT	Bracket
H-08	6.016.008.084	RS	Thermostat
H-09	6.013.001.212	S	Knee 4 mm x G1/8
H-10	6.231.191.001	S	Ring silicone
H-11	6.331.497.001	S	Nipple
H-12	6.231.132.001	S	Supply boiler



ID	Service part	S-RS	mm	Description
I-01	6.000.205.111	S	1150	Connection hose
I-02	6.016.001.133	RS		Magnetic valve 2l/min.
I-03	6.001.079.003	S		Tube clamp 15.6 mm
I-04	6.019.033.014	S	450	Silicone tube 3 x 9.5
I-05	6.019.033.013	S	360	Silicone tube 11,5 x 3.0
I-06	6.267.307.001	S		Y-piece
I-07	6.019.033.013	S	40	Silicone tube 11,5 x 3.0
I-08	6.001.079.001	S		Tube clamp 15.6 mm
I-09	6.263.081.001	S	500	Drain hose
I-10	6.006.002.018	S		Tightening plug 10.5 mm
I-11	6.236.353.001	S	420	Overflow tube
I-12	6.229.760.001	S		Nipple
I-13	6.402.010.001	S		Descaling plug
I-14	6.019.033.009	S	250	Silicone tube 4 x 1.5
I-15	6.019.033.013	S	320	Silicone tube 11,5 x 3.0
I-16	6.019.033.004	S	445	Silicone tube 7.5 x 2
I-17	6.019.033.004	S	445	Silicone tube 7.5 x 2
I-18	6.001.046.003	S		Nut M14x1.5 (1 pc)
I-19	6.229.821.001	S		Outlet hose



ID	Service part	S-RS	mm	Description
J-01	6.013.001.212	S		Knee 4 mm x G1/8
J-02	6.023.004.043	RS		Pump 230V - 50Hz 53W 0,2l/min
J-03	6.013.005.021	RS		Pressure relief valve
J-04	6.013.001.231	S		Y-piece
J-05	6.331.497.001	S		Nipple damper
J-06	6.016.024.014	RS		Water counter
J-07	6.019.033.025	S	120	Silicon tube 5.0x2.0
J-08	6.019.033.025	S	170	Silicon tube 5.0x2.0
J-09	6.019.033.025	S	120	Silicon tube 5.0x2.0
J-10	6.019.033.025	S	80	Silicon tube 5.0x2.0
J-11	6.019.072.002	S	250	Tube 2.0 x 1.0
J-12	6.019.072.002	S	40	Tube 2.0 x 1.0
J-13	6.019.033.025	S	40	Silicon tube 5.0x2.0
J-14	6.019.072.002	S	250	Tube 2.0 x 1.0
J-15	6.001.043.055	S		Tube clamp 25-150 mm/9 mm
J-16	6.268.490.001	S	500	Silicone tube (reinforced) 4.0 x 2.0
J-17	6.019.072.002	S	300	Tube 2.0 x 1.0
J-18	6.019.072.002	S <td 180	Tube 2.0 x 1.0	
J-19	6.019.033.025	S	360	Silicon tube 5.0x2.0

